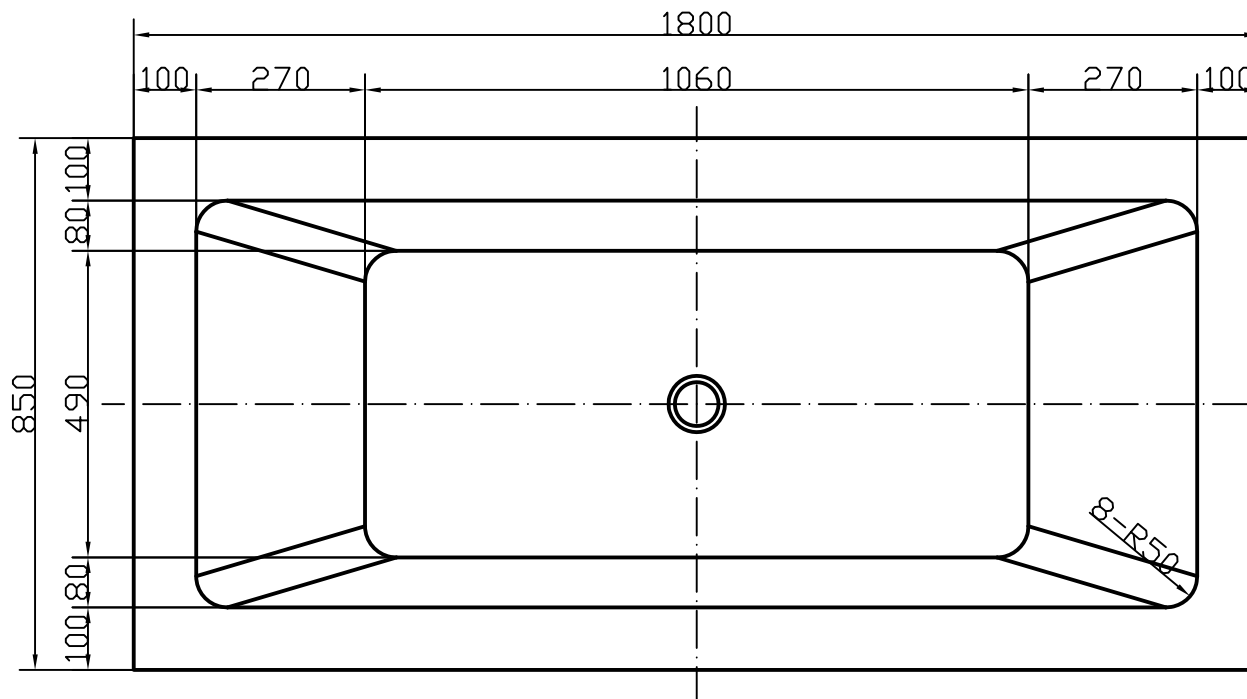
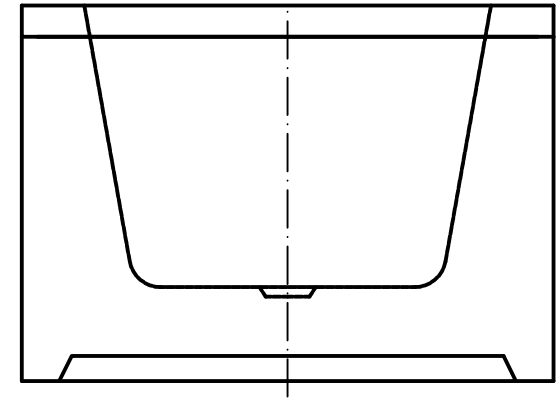
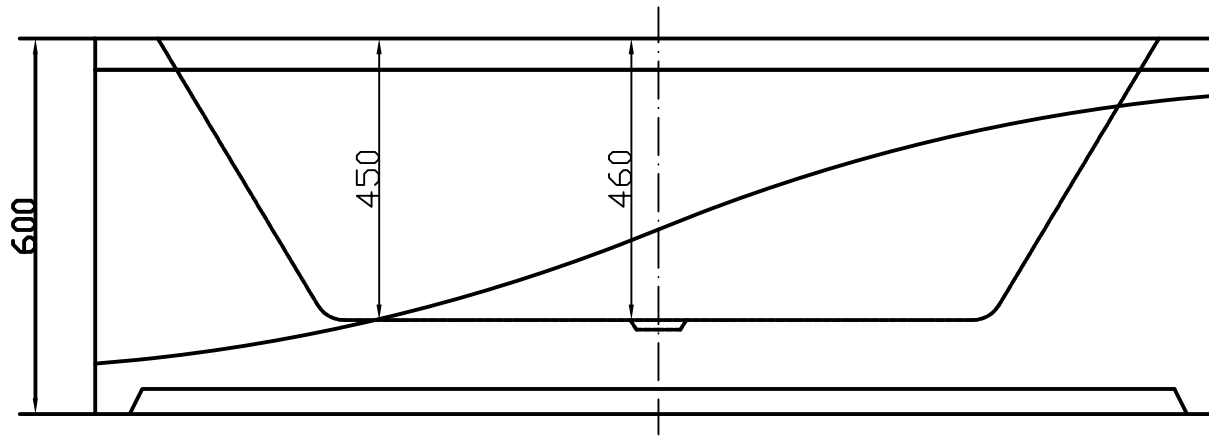


Item NO.

D-3017



1800*850*600mm